

SWINGSIGN

2 YEAR
WARRANTY



Features and benefits

- Double-sided graphic area, white printable aluminium sign blank
- Secure durable tamper proof hanging clips
- Heavy duty 'double crescent' shaped, recycled PVC base
- Available with black or white frame

Graphic specifications

Visual graphic area
750 x 500mm

System sizes

Boxed size

935 (H) x 585 (W) x 85 (D)mm
560 (H) x 485 (W) x 120 (D)mm

Assembled size

915 (H) x 585 (W) x 475 (D)mm

Boxed weight

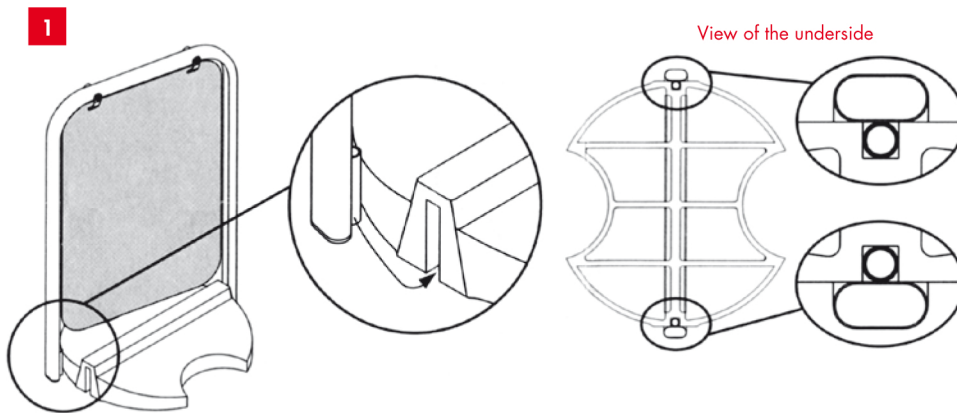
11.8kg

Component list

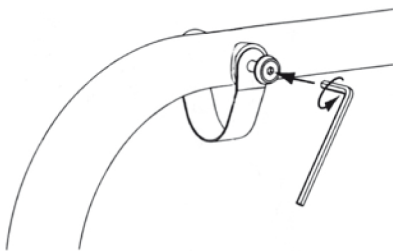
- 1 recycled PVC base
- 1 aluminium panel
- 1 steel frame
- 1 4mm allen key

Items attached to steel frame:

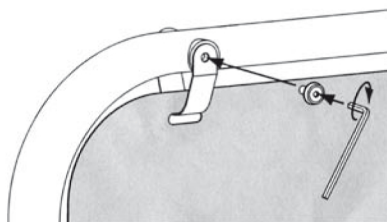
- 2 of panel hanging clip
- 4 of screw
- 4 of saddle washer
- 4 of finishing washer



- 2 Remove screw and fixings from one side of each panel hanging clip using a 4mm allen key.



- 3 Locate panel onto the panel hanging clips. Reassemble the panel hanging clips using the screws and fixings.



We are continually improving and modifying our product range and reserve the right to vary the specifications without prior notice. All dimensions and weights quoted are approximate and we accept no responsibility for variance. E&OE.

signgeer.com T: 0800 5 999 059



SIGNGEER™

FOR THE PROFESSIONAL SIGNMAKER